

Future GLX Hand Dryer

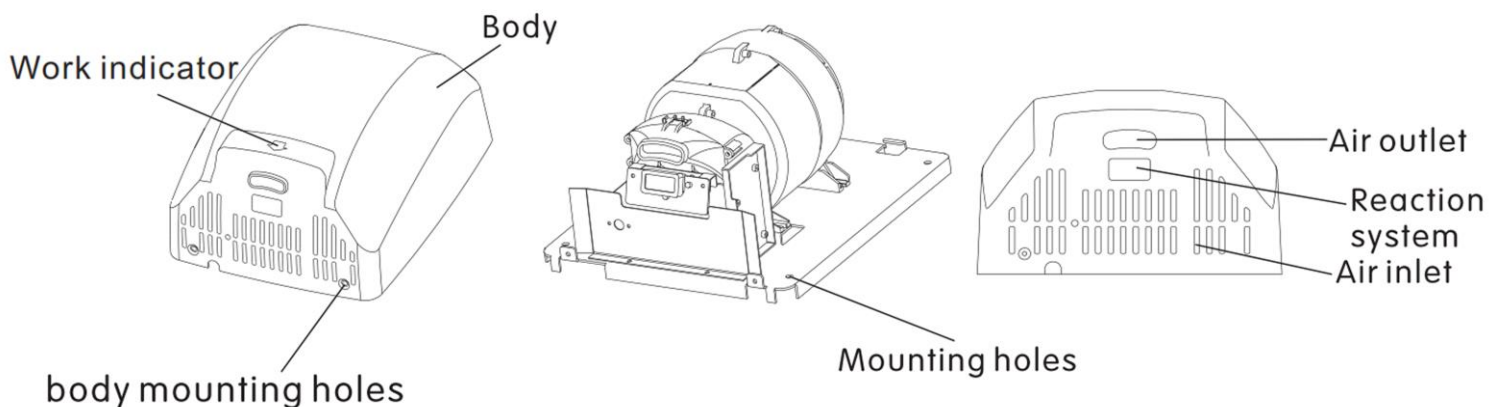


Code: HD15 (Stainless Steel)

Technical Specifications:

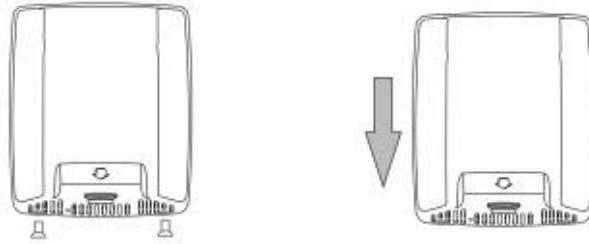
Noise Output:	78 dB(A) at 1 Meter
Operating voltage & Power:	220-240 Vac, 50/60 Hz, 1.8 KW
Warm Air Speed Output:	80 m/s
Motor Type:	550W
Circuit Operation:	Infrared Automatic, self-adjusting 9cm - 15cm
Drying Time	10 Seconds
Timing Protection:	30 seconds auto shut off
Drip Proof:	IPX1
Isolation:	CLASS 2
Dimensions:	Height: 325mm Width: 278mm Depth: 171mm

Components Name

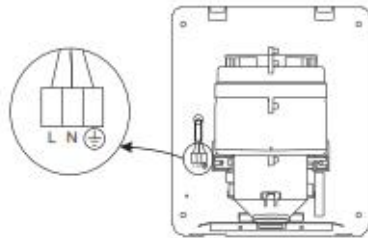


Installation

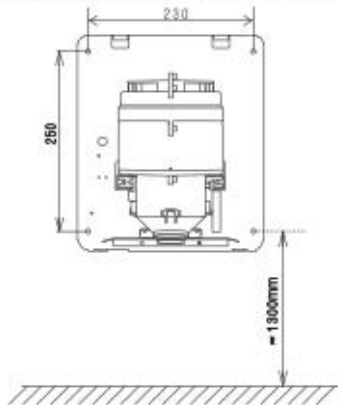
1. Take off the two screws on the bottom of the panel with the hexagon wrench in the attachment, push down the panel and take off it.



2. Please pass the power line through the hole in the base, and put power line into the connector with with a flathead screwdriver. See the drawing.



3. Drill four holes on the wall where the hand dryers will be installed, the diameter of the hole is 7mm and the deep is 40mm. Put in the expansion pipe into the hole. Then fix the machine on the wall with screws.



4. Buckle up the panel with the machine. push up slightly to confirm the hook which is on the base has snapped into the hole which is on the panel. Fix the screws which have been taken off in Step.

